



HVAC – PICKUP TRUCK MEASUREMENT SHEET

Ph: 317-271-1398

Fax: 317-271-5986

hvacfulfillment@tkographix.com

2751 Stafford Rd., Plainfield, IN 46168

1. Company _____

Contact _____

Phone _____ Fax _____

Email _____

Vehicle: Make _____ Model _____

Year _____ Color(s) _____ Extended? Yes No

2. Fill in the form below to indicate measurements of the actual vehicle model. Be as specific with your information as possible.

3. Sign/Date and submit your completed form to fax: 317-271-5986 or email: hvacfulfillment@tkographix.com

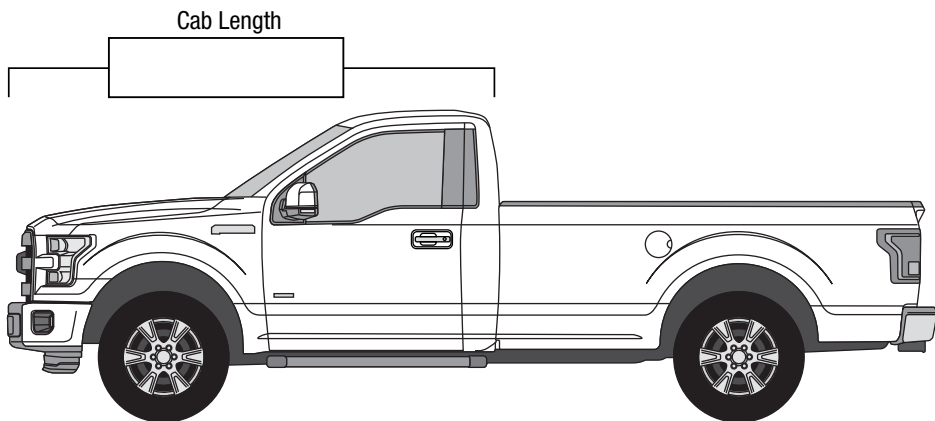
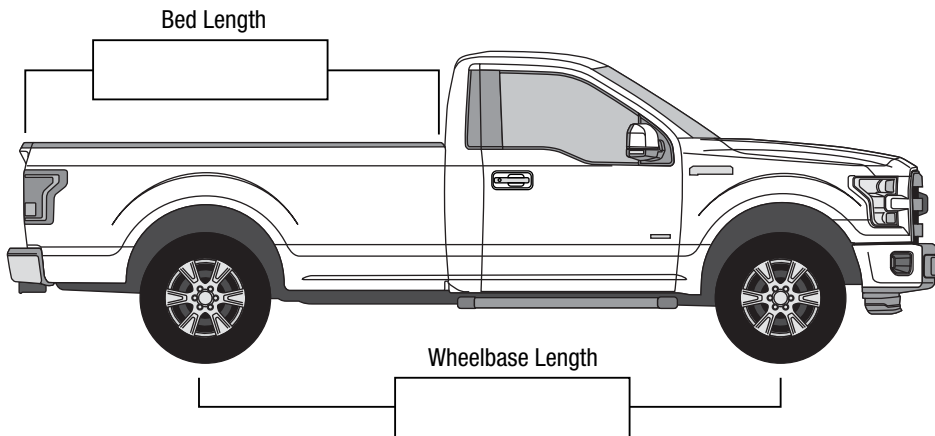
*** Include photos of driver side, passenger side, front and rear of vehicle.**

• Do you have existing graphics that need removed? Yes No

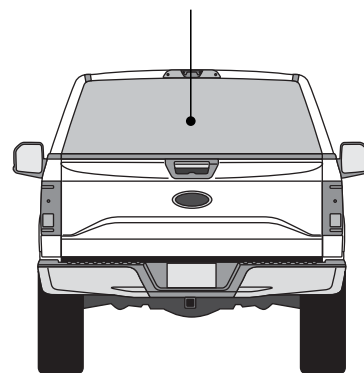
• Do you have an indoor facility for installation? Yes No

• Would you take the vehicle to a certified installer to avoid trip charges? Yes No

• Can you provide photos of the vehicle? Yes No



Window Perf on back window? Yes No



Signature _____ Date _____

Additional Notes:

