



HVAC – SPRINTER MEASUREMENT SHEET

Ph: 317-271-1398

Fax: 317-271-5986

hvacfulfillment@tkographix.com

2751 Stafford Rd., Plainfield, IN 46168

1. Company _____

Contact _____

Phone _____ Fax _____

Email _____

Vehicle: Make _____ Model _____

Year _____ Color(s) _____ Extended? Yes No

2. Fill in the form below to indicate measurements of the actual vehicle model. Be as specific with your information as possible.

3. Sign/Date and submit your completed form to fax: 317-271-5986 or email: hvacfulfillment@tkographix.com

*** Include photos of driver side, passenger side, front and rear of vehicle.**

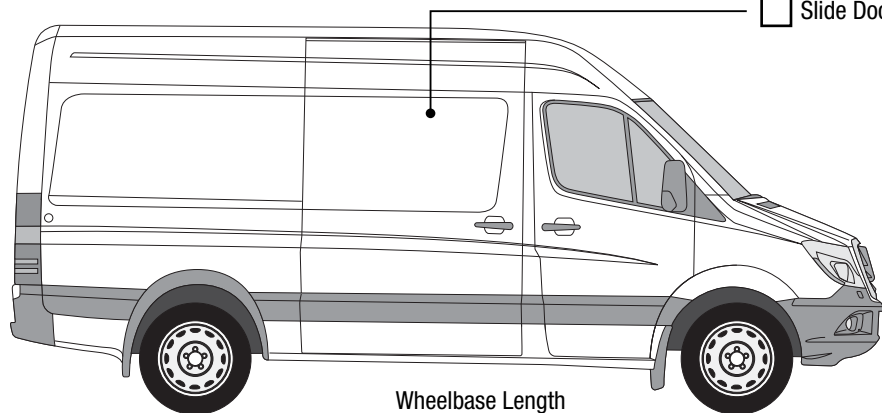
• Do you have existing graphics that need removed? Yes No

• Do you have an indoor facility for installation? Yes No

• Would you take the vehicle to a certified installer to avoid trip charges? Yes No

• Can you provide photos of the vehicle? Yes No

Slide Door -or- Swing Doors



Wheelbase Length

*If yes for rear windows, select one:

Window Perf Vinyl Coverage No Vinyl on Windows

*If yes for side windows, select one:

Window Perf Vinyl Coverage No Vinyl on Windows

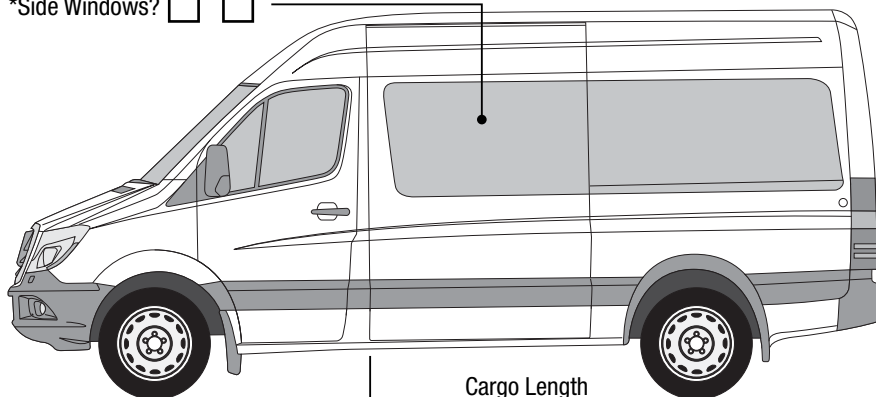
Roof Height

Standard

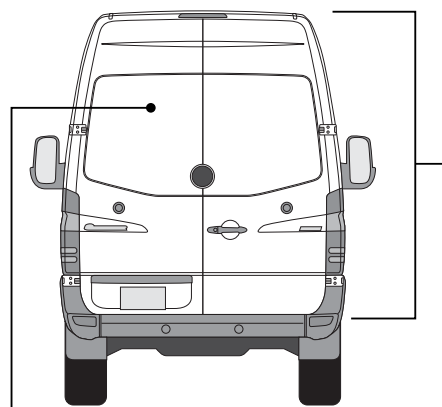
High

Super High / Mega

*Side Windows? Yes No



Cargo Length



*Rear Windows? Yes No

Signature _____ Date _____

Additional Notes:

